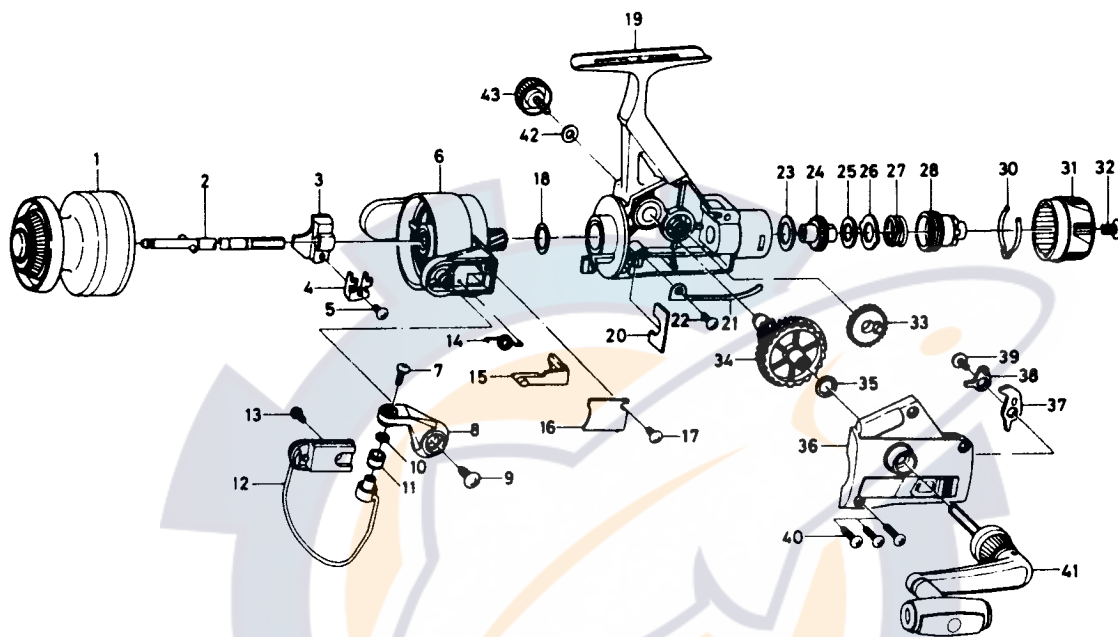




SPINNING REEL AG2050X



Key No.	Parts No.	Parts Name	Key No.	Parts No.	Parts Name
1	L06-3101	Spool assembly	22	L01-1702	Click pawl screw
2	L04-4901	Main shaft assembly	23	B46-9505	Drag washer A
3	L04-4701	Oscillating slider	24	B76-9801	Click gear
4	L04-4801	Oscillating slider retainer	25	B78-6602	Drag washer B
5	351-1804	Oscillating block screw	26	B83-9501	Eared washer
6	L06-2601	Rotor	27	B92-6701	Drag coil spring
7	B67-9302	Line roller screw	28	B77-0003	Drag screw
8	L50-1301	Bail arm	30	B77-0301	Drag washer spring
9	L00-2602	Bail arm screw	31	L04-4201	Drag knob
10	B55-4301	Line roller washer	32	352-1105	Drag knob screw
11	250-3921	Line roller	33	B74-3701	Oscillating gear
12	L06-2901	Bail	34	L04-4601	Drive gear
13	L01-1702	Bail trip cam screw	35	373-7800	Drive gear washer
14	B91-6501	Bail spring	36	L04-5102	Side cover
15	L06-2801	Bail trip lever	37	L04-3101	Anti-reverse pawl
16	L04-9001	Bail spring cover	38	B50-1201	Anti-reverse pawl plate
17	L06-1702	Bail spring cover screw	39	352-9503	Anti-reverse pawl screw
18	372-8600	Pinion washer	40	B83-5001	Side cover screw
19	L04-3402	Body assembly	41	L04-5401	Handle assembly
20	L04-6901	Pinion retainer	42	B92-4902	Handle lock washer
21	L04-3701	Click pawl	43	B92-5001	Handle lock screw